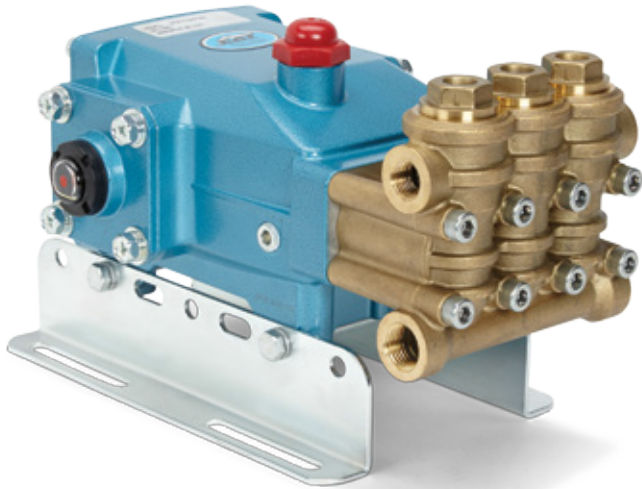


MODEL 5CP4120CSS PLUNGER PUMP



4.5 GPM – 4,000 PSI
17 LPM – 275 BAR

Designed for the most demanding pressure wash applications

Cat Pumps 5CP series plunger pumps have set the industry standard for long lasting pressure washer pumps. Working with customers and equipment manufacturers on new application demands, the model 5CP4120CSS has expanded the 5CP series to include pressures to 4,000 psi, all while maintaining the life you can expect from Cat Pumps.

When quality counts, Cat Pumps is the #1 choice for pressure washing applications. Don't fall into the price trap by choosing a less expensive pump upfront that will end up costing more in the long run. Get more work done without the hassles and downtime – choose Cat Pumps.

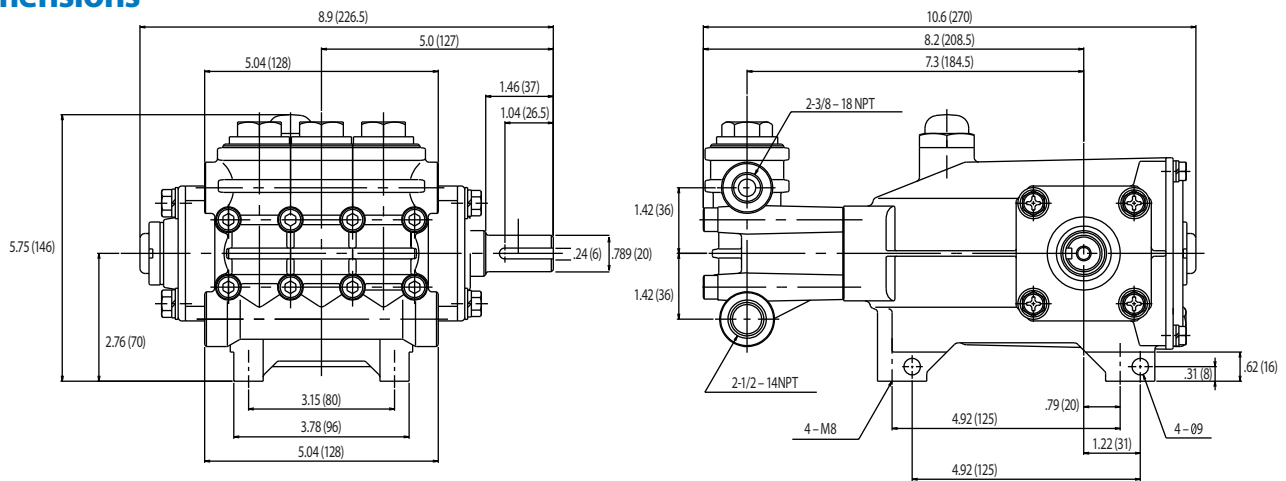
Features

- High and low pressure seals are completely lubricated and cooled, greatly increasing pump life
- Side and rear oil gauge for easy maintenance
- Flexible Drive options
 - Electric Motor
 - Belt with standard pulley or clutch
 - Direct Drive with Bell housing and flex coupler
 - Gas or Diesel Engine
 - Belt with standard pulley or clutch
 - Gearbox for 1" engine shaft

Specifications

	US Measure	Metric Measure
Flow	4.5 gpm	17.0 lpm
Pressure	4000 psi	275 bar
RPM	1750	1750
Inlet Pressure Range	-2.5 – 60 psi	-2 – 4 bar
Max Liquid Temperature	160°F	71°C
Inlet Ports (2)	1/2" NPTF	1/2" NPTF
Discharge Ports (2)	3/8" NPTF	3/8" NPTF
Weight	19.9 lbs	9.0 kg
Dimensions	10.6 x 8.9 x 5.7"	270 x 226.5 x 146 mm

Dimensions



Popular Accessories



Unloader



Pop-Off Valve



Pressure Gauge



Inlet Strainer

Contact Cat Pumps for pricing or more information at info@catpumps.nl



PIJTTERSEN

Pijtersen B.V.
Beneluxweg 33
9636 HV Zuidbroek
Tel.: +31(0)50-8200963

KvK 01013855
BIC RABONL2U
BTW NL002166811B01
IBAN NL24 RABO 0353 2970 97



The Pumps with Nine Lives

www.pijtersen.nl - info@pijtersen.nl | www.catpumps.nl - info@catpumps.nl